

murua[®]
gold
silver&brass
universal



GRAPHIC DESIGN BY AMADOR GARELL

murua[®]
gold
silver&brass
universal

Grinding and Polishing in one step
Completely automated process



murua[®]

www.muruagold.com

Machine patented and manufactured by

GPAINNOVA
The wonder of making headway



The use of Passive Layer Technology,
developed by Marc Sarsanedas for MEFID,
is approved by a concession of MEFID/HISPANA



European Union
European Regional
Development Fund
"A way to build Europe"





Grinding and Polishing in one step
Completely automated process

Perfect finishing for gold,
silver and brass

Mechanical-Galvanic Technology*



1 GRINDING AND POLISHING IN ONE STEP

From cast to mirror-finishing polishing in just one step. Completely automated process.

2 BIG TIME SAVINGS

An optimal performance is achieved, due to a high energy extracting process. At same time, the whole process is carried out using the same machine, reducing the waiting and preparation time. It is even possible to process 3 pieces simultaneously.

3 POLISH COMPLEX PARTS WITHOUT DISASSEMBLING THEM

The polishing action reaches every corner of the piece, so it can process articulated pieces, such as necklaces, or interior walls which can not be accessed mechanically.

4 GEMSTONES AND NON-CONDUCTIVE MATERIALS WILL NOT BE AFFECTED

Pieces can be processed without removing embedded gems, which will not be affected and maintain their original properties. The dielectric parts are also unaffected by the process.

5 MAINTAINS THE GEOMETRY OF THE PIECE

The process, unlike mechanical ones, does not rounds edges, and can penetrate in all dead zones. These attributes, along with the extraction performance, allows for the creation of new designs, which would not have been feasible until now.

6 LOW LOSS RATE. FULLY RECOVERABLE

The process achieves the highest polishing quality with minimal removal of material. All the extracted material is deposited on the cathode, from where it can be completely recovered.

7 EXPERTISE IS NOT REQUIRED

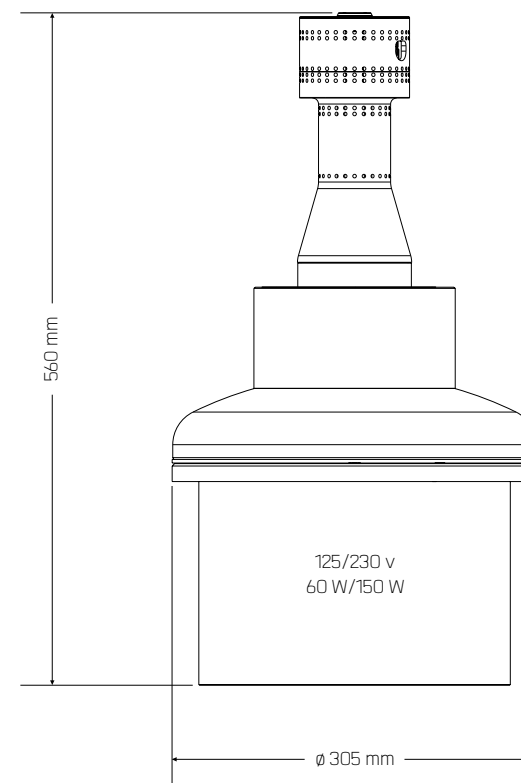
The process, being fully automated, does not require any specialized labor. It also enables the industrialization of pieces by removing the differences between them.

8 LOW MAINTENANCE AND CONSUMABLES COSTS

The treatment process does not require any abrasive items, which prevents a constant expenditure on consumables.

9 ENVIRONMENTALLY FRIENDLY

No environmentally harmful materials are used during the polishing process or on recovery of the extracted material.



muruagold®
muruasilver&brass®
muruauniversal®

* Concession of MEFID